



DATA SHEET

R-1100 SILVER

SILVER SERIES

ELECTRIC EQUIPMENT



Aluminium



Electric



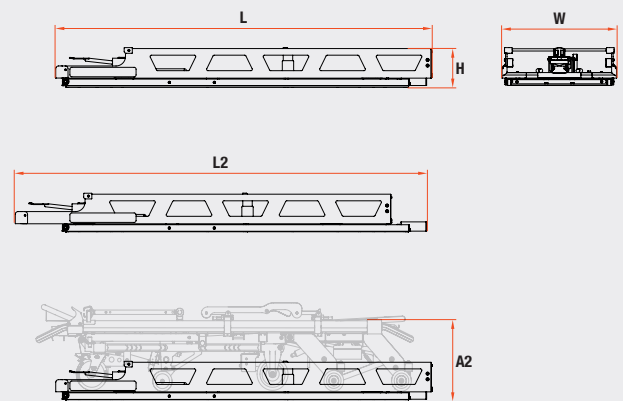
230 Kg



- ▷ Rail for the TG-1100 SILVER stretcher.
- ▷ Extends out of the rear of the ambulance to load the stretcher.
- ▷ Manual operation on two guide tracks.
- ▷ Rail mainly made from aluminium and steel.
- ▷ 3 solid anchoring points to the stretcher.

PRODUCT SPECIFICATIONS

	R-1100
H Height (mm)	206
L Length closed (mm)	1995
L2 Length open (mm)	2209
W Width (mm)	606
A2 Height rail + stretcher (mm)	397
Weight (kg)	75



RELATED PRODUCTS



TG-1100 2 / TG-1100 4 SILVER



KARTSANA

Life-moving innovation

Narcís Monturiol, 34
08192 · Sant Quirze del Vallès
Barcelona (Spain)

T.: +34 93 715 86 72
info@kartsana.com
www.kartsana.com